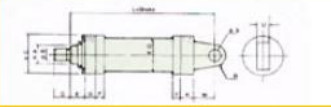
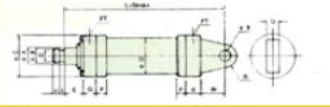
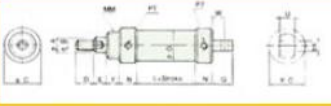
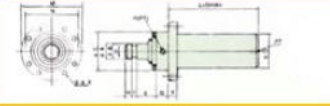
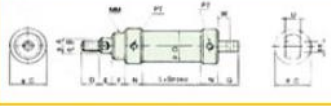
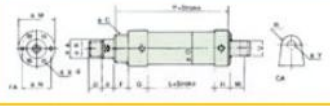
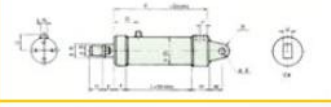
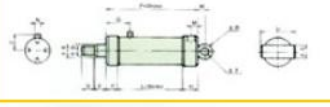
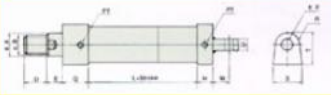


HOW TO ORDER

OMA	-CA	-B	-Ø100	R045	S2000	-140K	-Y
SERIES NUMBER	TYPE OF MOUNTING	CUSHIONING DEVICE	CYLINDER BORE(mm)	ROD DIA(mm)	STROKE(mm)	WORKING PRESSURE	ROD ADAPTER
None:Standard Type OMA: Shaft Teeth Screw On & Shaft Key Insert Type OMB: Shaft Teeth Screw On & Shaft Key Insert Type OMC: Shaft Teeth Screw On & Shaft Key Insert Type OMD: Production Machinery Purposes OME: Synchronous Hydraulic Cylinder RAM: RAM Type Hydraulic Cylinder	FA TYPE FB TYPE LA TYPE LB TYPE CA TYPE CB TYPE TC TYPE TA TYPE	B: 2 sides R: rod side H: rear cover side None:non-cushioned		R045: Piston Type R45R: RAM Type		70k:70kgf/cm ² 140k:140kgf/cm ² 210k:210kgf/cm ²	1:1 1 Type Y:Y Y Type O:O O Bearing Type None:Without

SERIES NUMBER

OMA Series: CA-IType Shaft Teeth Screw On(Round Type) (Large Model)		CA-IIType Shaft Key Insert	
OMB Series: FA-IType Shaft Teeth Screw On(Round Type) (Large Model)		FA-IIType Shaft Key Insert	
OMC Series: CA-IType (Shaft Teeth Screw On) (Round Type) (Small Type)		OMC CA-IIType	
OMD Series: (Round Type)(Small Type) CA-IType (Production Machinery)		OMD CA-IIType Shaft Teeth Screw	
OME Series: Synchronous Hyd. Cylinder (parking Equipment) CA Type		RAM Type CA Type	